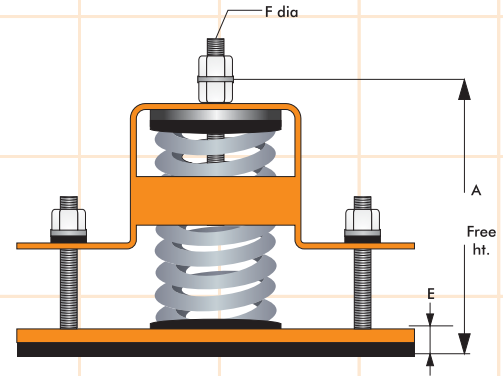
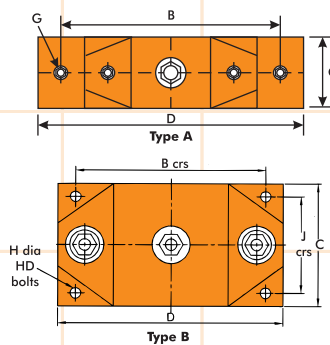


## Features :

The EFRSM mounting has been designed specifically for applications where transmission of low frequency machinery vibration to a building structure must be reduced to avoid physical damage or annoyance to the occupants.

Vertical and lateral restraint is provided to control movement of the mounted equipment when subjected to external forces. This could otherwise be excessive due to the low stiffness Springs required to provide isolation of low frequency vibration.

Equipment located at roof level can be successfully mounted on the EFRSM units as any movement caused by high wind loads will be limited. Cooling tower and chillers which contain large volumes of liquid will benefit from installation on EFRSM mountings because during "draining down" upward movement is restricted thus avoiding damage to pipework and electrical connections



PART NO. (TYPE A)	COLOUR CODE	RATED LOAD (kg)	DEFLECTION AT RATED LOAD (mm)	DIMENSIONS (mm)							
				A	B	C	D	E	F	G	
EFRSM25/30	Yellow	30	25								
EFRSM25/60	Green	60	25								
EFRSM25/100	Blue	100	25	120	168	75	200	12	M10	10	
EFRSM25/160	White	160	25								
EFRSM25/250	Red	250	25								

PART NO. (TYPE B)	COLOUR CODE	RATED LOAD (kg)	DEFLECTION AT RATED LOAD (mm)	DIMENSIONS (mm)							
				A	B	C	D	E	F	H	J
EFRSM 25/200	Red	200	25								
EFRSM 25/300	Purple	300	25								
EFRSM 25/400	Grey	400	25								
EFRSM 25/500	Orange	500	25	165	220	100	250	15	M16	16	75
EFRSM 25/600	Brown	600	25								
EFRSM 25/700	Orange	700	25								
EFRSM 25/800	Black	800	25								
EFRSM 25/650	Yellow	650	27								
EFRSM 25/850	Green	800	25	187	215	100	250	15	M16	16	70
EFRSM 25/1050	Blue	1050	25								
EFRSM 25/1250	White	1250	25								
EFRSM 25/1300	Red	1300	27								
EFRSM 25/1600	Purple	1600	25	234	280	180	330	21	M24	16	140
EFRSM 25/2000	Grey	2000	26								
EFRSM 25/2300	Brown	2300	29								
EFRSM 50/100	Yellow	100	50								
EFRSM 50/200	Green	200	50								
EFRSM 50/300	Blue	300	50	200	220	100	250	15	M16	16	75
EFRSM 50/400	White	400	50								
EFRSM 50/500	Black	500	50								

- ⇒ Due to policy of continual improvement, the specifications are subject to change without prior notice.
- ⇒ Measurements are subject to 5% tolerance.
- ⇒ To achieve good sound suppression do not over load fitting.