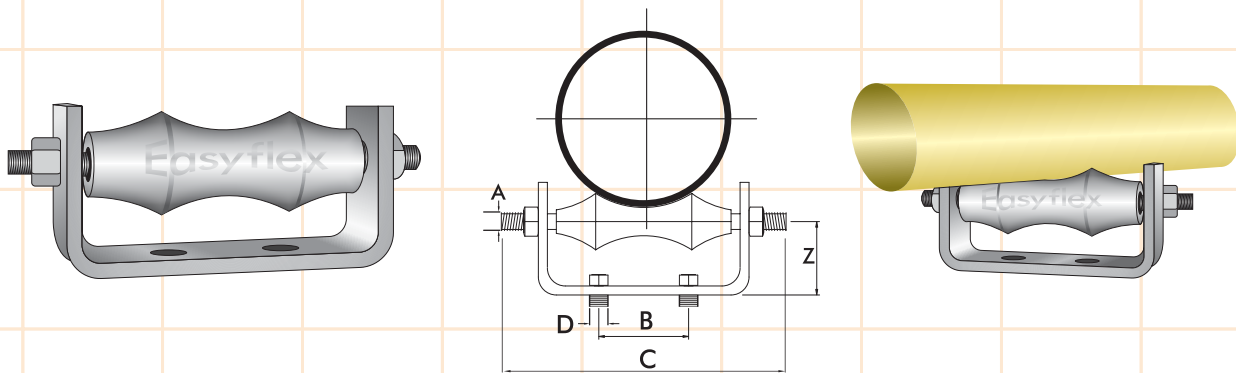


Specification :

- ⇒ Material: Roller-Cast iron, Chair-Carbon Steel, Roller Pin-Carbon Steel & MS Nut and Bolts.
- ⇒ Standard Finish: Electro-plated Zinc. Hot dipped Galvanized parts can also be supplied upon request.
- ⇒ Service: Designed to support pipes where axial movements are allowed, and vertical adjustments are required.
- ⇒ This combination can also be used over the pipes to act as a guide.
- ⇒ Mounting Nuts not included.
- ⇒ Approvals: Complies with Manufacturers' Standardization Society MSS SP-58 and MSS SP-69 Type 41.



Model No.	Size	Dimensions (mm)						Max. Recom. Load Kg
		A	B	C	D	Bracket Size	Z	
EFROC060	2"	12	35	110	12	6 x 32	40	350
EFROC075	2 1/2"	12	35	110	12	6 x 32	40	350
EFROC090	3"	12	50	145	12	6 x 32	45	350
EFROC100	3 1/2"	12	50	145	12	6 x 32	45	500
EFROC115	4"	12	50	180	16	8 x 40	50	500
EFROC140	5"	12	75	215	16	8 x 40	55	500
EFROC168	6"	19	80	250	16	10 x 50	60	500
EFROC220	8"	22	85	285	19	10 x 50	75	1200
EFROC273	10"	22	130	345	19	12 x 50	90	1200
EFROC323	12"	25	140	395	19	12 x 50	105	1500
EFROC355	14"	25	165	440	25	12 x 50	120	1500
EFROC406	16"	32	210	480	25	12 x 75	140	3500
EFROC457	18"	32	235	525	25	12 x 75	155	3500
EFROC508	20"	50	260	555	25	12 x 75	165	3500
EFROC610	24"	50	310	665	25	16 x 100	200	5500

⇒ Due to policy of continual improvement, the specifications are subject to change without prior notice.
 ⇒ Measurements are subject to 5% tolerance.