

EasyflexTM

Easy Mount



Introduction :

The Easy Mount assembly consists of base and cover into which are a pair of rubber to metal bonded flexible units sandwiched in an angular disposition. These are loaded in a combination of shear and compression for longest life and best load /deflection characteristics. Besides the desired vertical flexibility, easymounts are stiffer in the transverse direction as compared to flexibility in the horizontal direction. Full advantage of this characteristic is taken by disposing the mountings so that the greater flexibility is available in the direction in which it is needed. When three or more mountings are arranged symmetrically around a vertical axis, the flexibility of the suspension is the same in all direction. Such an arrangement is very useful for centrifuges, washing machines and other machinery revolving about a vertical axis.

The mountings are designed to protect the rubber inserts from oil and physical damage. A levelling device can also be provided for machines requiring precision leveling. The pads are made in oil resisting rubber and can be used on all kinds of floor. The rubber friction pad provided at the bottom obviates the necessity of bolting the machine to floor. Easy Mounts can be conveniently arranged in tandem for doubling deflection for very low frequency vibrations.



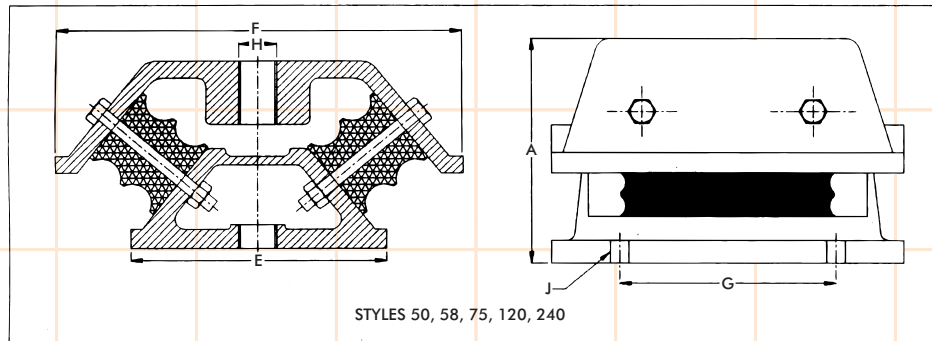
Applications :

- ⇒ Generating Sets
- ⇒ Centrifugals
- ⇒ Compressors
- ⇒ Diesel Engines
- ⇒ Fans
- ⇒ Furnaces
- ⇒ Chambers
- ⇒ Grinders
- ⇒ Machine Tools
- ⇒ Pumps
- ⇒ Power Presses
- ⇒ Polishing Machines
- ⇒ Printing Machines
- ⇒ Textile Machines
- ⇒ Vibrating Screens
- ⇒ Washing Machines
- ⇒ Mobile Units

Features :

- ⇒ No grouting
- ⇒ Instant installation with friction pads
- ⇒ Upto 60% saving on foundation costs
- ⇒ Upto 95% vibration absorption
- ⇒ 20% noise reduction
- ⇒ Fewer repairs and longer life or equipment
- ⇒ Accurate work and improvement in output efficiency

- ⇒ Due to policy of continual improvement, the specifications are subject to change without prior notice.
- ⇒ Measurements are subject to 5% tolerance.
- ⇒ To achieve good sound suppression do not over load fitting.



Characteristics

STYLE	LOAD CAPACITIES										DIMENSIONS					
	Load kg	Def mm	Load kg	Def mm	Load kg	Def mm	Load kg	Def mm	Load kg	Def mm	A mm	E mm	F mm	G mm	H mm	J
EFEM-50/A	80	5.6	120	5.8	160	6.2	240	5.8	320	5.3	70	77	124	80	½"	14
EFEM-58/W	150	6.3	225	5.5	300	5.5	450	5.5	600	5.5	110	136	200	156	M-16	15
EFEM-75/X	235	6.3	350	5.5	470	5.5	700	5.5	940	5.5	110	136	200	156	M-16	15
EFEM-120/B	280	6.4	550	5.6	850	5.6	1040	5.6	1580	5.6	110	136	200	156	M-16	15
EFEM-240/H			510	12.0	820	12.0	1020	12.0			110	136	200	156	M-16	15
COLOUR	GREY	BROWN	GREEN	BLUE	RED											

Mounting Selection Guide

Disturbing frequency (CPM)	600	720	950	1250	1440	2000	2850
Isolation Efficiency (%)	70	70	70	75	80	85	90
Static Deflection (mm)	10.0	7.6	4.0	3.0	2.6	1.8	1.2
Available Rubbers	Natural		Neoprene			Nitrile	
Code	N		C			B	

- ⇒ Due to policy of continual improvement, the specifications are subject to change without prior notice.
- ⇒ Measurements are subject to 5% tolerance.
- ⇒ To achieve good sound suppression do not over load fitting.