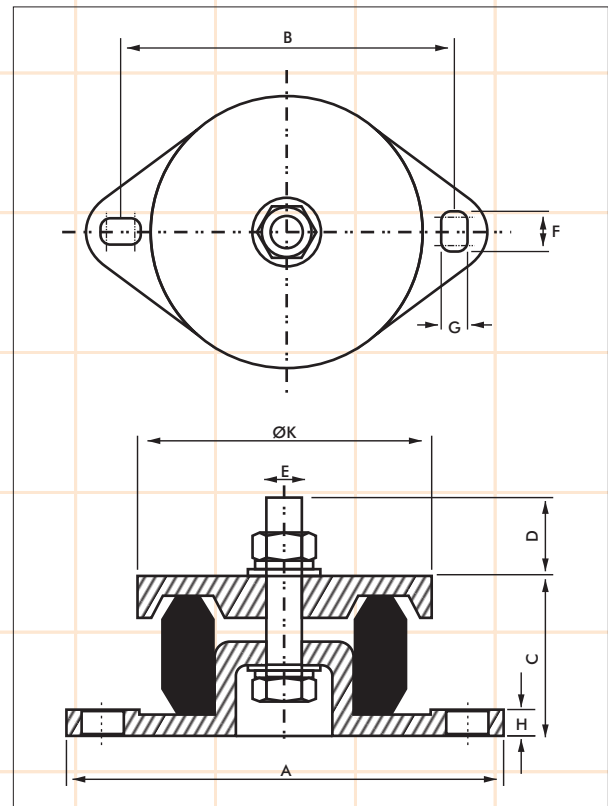


### Salient Features

- ⇒ Fail Safe Design
- ⇒ Built - in protection when the equipment is lifted
- ⇒ Rugged Construction



Size	Type	Colour Code	Max Load in kgs.	Defl in mm
EFFSM - 1	A	Blue	50	3.0
	B	White	85	3.0
	C	Green	120	3.0
EFFSM - 2	A	Blue	150	3.0
	B	White	225	3.0
	C	Green	300	3.0
EFFSM - 3	A	Blue	420	3.0
	B	White	525	3.0
	C	Green	650	3.0
EFFSM - 4	A	Blue	700	3.0
	B	White	950	3.0
	C	Green	1200	3.0
EFFSM - 5	A	Blue	1400	3.0
	B	White	1700	3.0
	C	Green	2000	3.0



### Type EFFSM

Size	Dimension in mm							
	A	B	C	D	E	F x G	H	ØK
EFFSM - 1	100	78	32	18	M8	13 x 8.5	6	57
EFFSM - 2	125	100	43	40	M12	15 x 10.5	8	84
EFFSM - 3	190	160	65	40	M16	18 x 12.5	12	120
EFFSM - 4	240	200	85	42	M20	24 x 16.5	14	160
EFFSM - 5	320	270	118	40	M24	30 x 20.5	20	214