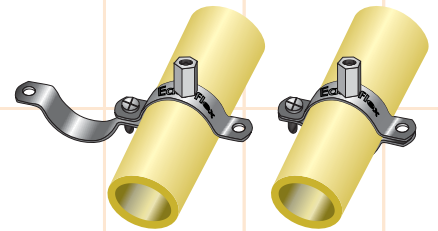
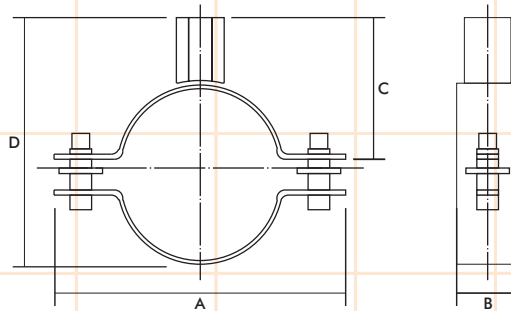
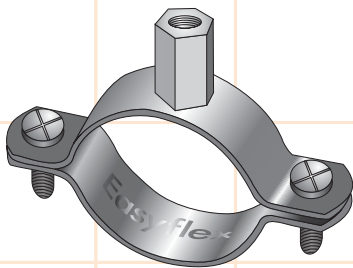
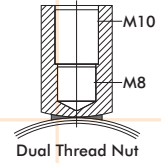


## Specifications :

- ⇒ Grooved construction for added strength.
- ⇒ Used for mounting of pipes to the walls (vertical/horizontal).
- ⇒ Hanging type is M8/M10 combi nut.
- ⇒ M10/M12 provided as option.
- ⇒ Lock bolts with combi cross recessed head.
- ⇒ M6 Side Screws with PE captive disc.



| Model No. | Size (inches) | Dia (mm) | Range (mm) | Dimension (mm) |    |     |     | Thick. (mm) | Break Load Kgs | Safe Load Kgs |
|-----------|---------------|----------|------------|----------------|----|-----|-----|-------------|----------------|---------------|
|           |               |          |            | A              | B  | C   | D   |             |                |               |
| EFPSC018  | 3/8"          | 15       | 15-19      | 59             | 20 | 23  | 30  | 2           | 600            | 200           |
| EFPSC022  | 1/2"          | 22       | 20-25      | 66             | 20 | 26  | 37  | 2           | 600            | 200           |
| EFPSC028  | 3/4"          | 28       | 26-30      | 72             | 20 | 29  | 43  | 2           | 600            | 200           |
| EFPSC035  | 1"            | 35       | 32-36      | 79             | 20 | 33  | 50  | 2           | 600            | 200           |
| EFPSC040  | 1 1/4"        | 42       | 38-43      | 86             | 20 | 36  | 57  | 2           | 600            | 200           |
| EFPSC048  | 1 1/2"        | 48       | 47-51      | 92             | 20 | 39  | 63  | 2           | 600            | 200           |
| EFPSC054  |               | 54       | 53-58      | 98             | 20 | 42  | 69  | 2           | 600            | 200           |
| EFPSC060  | 2"            | 60       | 60-64      | 104            | 20 | 45  | 75  | 2           | 600            | 200           |
| EFPSC063  |               | 63       | 63-66      | 108            | 20 | 47  | 72  | 2           | 600            | 200           |
| EFPSC070  |               | 70       | 68-72      | 114            | 20 | 50  | 85  | 2           | 600            | 200           |
| EFPSC075  | 2 1/2"        | 75       | 74-80      | 119            | 20 | 53  | 90  | 2           | 600            | 200           |
| EFPSC083  |               | 83       | 81-86      | 127            | 20 | 57  | 98  | 2           | 600            | 200           |
| EFPSC090  | 3"            | 90       | 87-92      | 134            | 20 | 60  | 105 | 2           | 600            | 200           |
| EFPSC100  | 3 1/2"        | 100      | 99-105     | 144            | 20 | 65  | 115 | 2           | 600            | 200           |
| EFPSC110  |               | 110      | 107-112    | 164            | 20 | 70  | 125 | 2           | 600            | 200           |
| EFPSC115  | 4"            | 115      | 113-118    | 159            | 20 | 73  | 130 | 2           | 600            | 200           |
| EFPSC125  |               | 125      | 125-130    | 169            | 20 | 78  | 140 | 2           | 600            | 200           |
| EFPSC133  |               | 133      | 131-137    | 177            | 20 | 82  | 148 | 2           | 600            | 200           |
| EFPSC140  | 5"            | 140      | 138-142    | 184            | 20 | 85  | 155 | 2.5         | 900            | 300           |
| EFPSC150  |               | 150      | 148-153    | 194            | 20 | 90  | 165 | 2.5         | 900            | 300           |
| EFPSC160  |               | 160      | 159-166    | 204            | 25 | 95  | 175 | 2.5         | 900            | 300           |
| EFPSC168  | 6"            | 168      | 168-172    | 212            | 25 | 99  | 183 | 2.5         | 900            | 300           |
| EFPSC200  | 8"            | 200      | 200-212    | 244            | 25 | 115 | 215 | 2.5         | 900            | 300           |
| EFPSC220  |               | 220      | 215-220    | 264            | 25 | 125 | 235 | 2.5         | 900            | 300           |
| EFPSC250  | 10"           | 250      | 248-252    | 294            | 25 | 140 | 265 | 2.5         | 900            | 300           |
| EFPSC315  | 12"           | 315      | 313-318    | 359            | 25 | 173 | 330 | 2.5         | 900            | 300           |



| Model No. | Steel (Sch 40) |     | UPVC / PE | ABS           |
|-----------|----------------|-----|-----------|---------------|
|           | Inches         | mm  |           |               |
| EFPSCC018 |                |     |           | 16            |
| EFPSCC022 | 1/2"           | 22  | 20        | DN15 (21.4)   |
| EFPSCC028 | 3/4"           | 28  | 25        | DN20 (26.8)   |
| EFPSCC035 | 1"             | 35  | 32, 38    | DN25 (33.6)   |
| EFPSCC040 | 1 1/4"         | 42  | 40, 43    | DN32 (42.3)   |
| EFPSCC048 | 1 1/2"         | 48  | 45        | DN40 (48.3)   |
| EFPSCC054 |                |     | 54        |               |
| EFPSCC060 | 2"             | 60  | 60        | DN50 (60.4)   |
| EFPSCC063 |                |     |           |               |
| EFPSCC070 |                |     | 70        |               |
| EFPSCC075 | 2 1/2"         | 75  | 75        | DN65 (75.4)   |
| EFPSCC083 |                |     | 83        |               |
| EFPSCC090 | 3"             | 90  | 90        |               |
| EFPSCC100 |                |     | 102       | DN80 (88.9)   |
| EFPSCC110 |                |     | 110       |               |
| EFPSCC115 | 4"             | 115 | 115       | DN100 (114.3) |
| EFPSCC125 |                |     | 125       |               |
| EFPSCC133 |                |     | 135       |               |
| EFPSCC140 | 5"             | 140 | 140       | DN125 (140.2) |
| EFPSCC150 |                |     | 152       |               |
| EFPSCC160 |                |     | 160       |               |
| EFPSCC168 | 6"             |     | 168       | DN150 (168.3) |
| EFPSCC200 |                |     | 200       |               |
| EFPSCC220 | 8"             | 219 | 220, 225  | DN200 (225.0) |
| EFPSCC250 |                |     | 250       | DN225 (250.4) |
| EFPSCC315 |                |     |           | DN300 (315.5) |