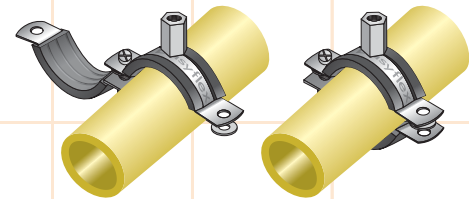
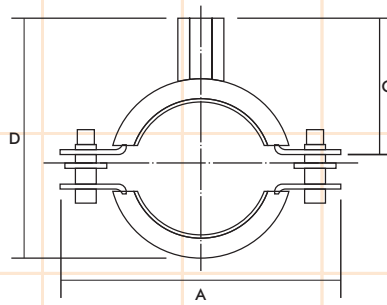
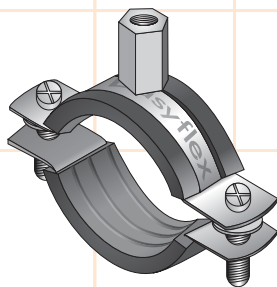
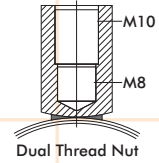


## Specifications :

- ⇒ Grooved construction for added strength.
- ⇒ Used for mounting of pipes to the walls (vertical/horizontal).
- ⇒ Hanging type is M8/M10 combi nut.
- ⇒ M10/M12 provided as option.
- ⇒ High Quality Rubber lining for suppression of sound & vibrations.
- ⇒ Lock bolts with combi cross recessed head.
- ⇒ M6 Side Screws with PE captive disc.



Model No.	Size (inches)	Dia (mm)	Range (mm)	Dimension (mm)				Thick. (mm)	Break Load Kgs	Safe Load Kgs
				A	B	C	D			
EFRLC018	3/8"	15	15-19	60	20	26	36	1.6	450	150
EFRLC022	1/2"	22	20-25	65	20	29	43	1.6	450	150
EFRLC028	3/4"	28	26-30	70	20	32	50	1.6	450	150
EFRLC035	1"	35	32-36	85	20	36	56	1.6	450	150
EFRLC040	1 1/4"	42	38-43	92	20	39	63	1.6	450	150
EFRLC048	1 1/2"	48	47-51	98	20	42	72	1.6	450	150
EFRLC054		54	53-58	104	20	45	75	1.6	450	150
EFRLC060	2"	60	60-64	110	20	48	81	1.6	450	150
EFRLC063		63	63-66	115	20	51	88	1.6	450	150
EFRLC070		70	68-72	120	20	53	91	1.6	450	150
EFRLC075	2 1/2"	75	74-80	125	20	56	96	2	600	200
EFRLC083		83	81-86	139	20	60	108	2	600	200
EFRLC090	3"	90	87-92	146	20	63	111	2	600	200
EFRLC100	3 1/2"	100	99-105	156	20	68	121	2	600	200
EFRLC110		110	107-112	166	20	73	131	2	600	200
EFRLC115	4"	115	113-118	171	20	78	136	2	600	200
EFRLC125		125	125-130	181	20	81	146	2	600	200
EFRLC133		133	131-137	184	20	85	154	2	600	200
EFRLC140	5"	140	138-142	196	20	88	161	2	600	200
EFRLC150		150	148-153	206	20	93	171	2	600	200
EFRLC160		160	159-166	216	25	98	181	2	600	200
EFRLC168	6"	168	168-172	224	25	102	189	2	600	200
EFRLC200	8"	200	200-212	256	25	118	221	2.5	900	300
EFRLC220		220	215-220	276	25	128	241	2.5	900	300
EFRLC250	10"	250	269-274	306	25	143	271	2.5	900	300
EFRLC315	12"	315	313-318	371	25	176	336	2.5	900	300

Model No.	Copper (inches)	Steel (Sch 40)		UPVC / PE	ABS
		Inches	mm		
EFRLC018	15, 18		16		
EFRLC022	22	1/2"	22	20	DN15 (21.4)
EFRLC028	24, 28	3/4"	28	25	DN20 (26.8)
EFRLC035	35	1"	35	32, 38	DN25 (33.6)
EFRLC040	42	1 1/4"	42	40, 43	DN32 (42.3)
EFRLC048		1 1/2"	48	45	DN40 (48.3)
EFRLC054	54			54	
EFRLC060	64	2"	60	60	DN50 (60.4)
EFRLC063					
EFRLC070	67, 70			70	
EFRLC075	76	2 1/2"	75	75	DN65 (75.4)
EFRLC083	80			83	
EFRLC090		3"	90	90	
EFRLC100	102, 105			102	DN80 (88.9)
EFRLC110	108			110	
EFRLC115		4"	115	115	DN100 (114.3)
EFRLC125	125			125	
EFRLC133				135	
EFRLC140		5"	140	140	DN125 (140.2)
EFRLC150				152	
EFRLC160	159			160	
EFRLC168	167	6"	168		DN150 (168.3)
EFRLC200	206			200	
EFRLC220		8"	219	220, 225	DN200 (225.0)
EFRLC250				250	DN225 (250.4)
EFRLC315					DN300 (315.5)

- ⇒ Due to policy of continual improvement, the specifications are subject to change without prior notice.
- ⇒ Measurements are subject to 5% tolerance.
- ⇒ To achieve good sound suppression do not over load fitting.