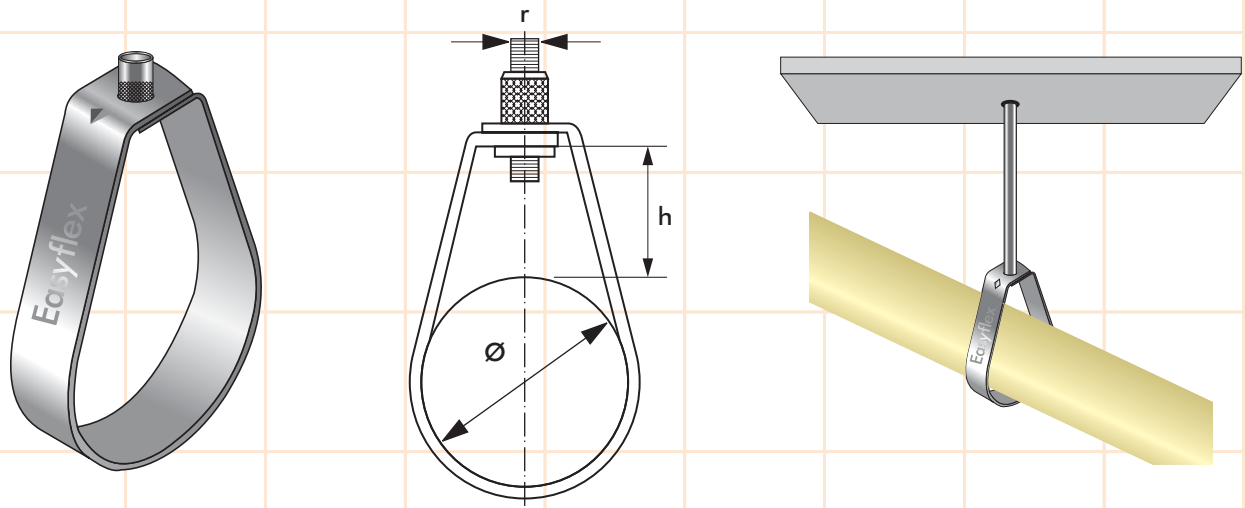


## Specifications :

- ⇒ Used for free hanging of horizontal pipe lines.
- ⇒ Used for sprinkler system installation.
- ⇒ Used for fire extinguishing systems.
- ⇒ Pipe level can be adjustable vertically after Installation.
- ⇒ Lips are dimpled at bend for added strength.
- ⇒ One piece clip guarantees a high permissible load.
- ⇒ Mounting without any tools.



| Model No. | Pipe Size (Inches) | Threaded Connection (r) (mm) | Strip Size (mm) | Height (mm) | Height Adjustment (h) (mm) | Safe Working Load (kgs) |
|-----------|--------------------|------------------------------|-----------------|-------------|----------------------------|-------------------------|
| EFSC028   | 3/4"               | 10                           | 1.5x25          | 61          | 28                         | 200                     |
| EFSC035   | 1"                 | 10                           | 1.5x25          | 68          | 35                         | 200                     |
| EFSC040   | 1 1/4"             | 10                           | 1.5x25          | 75          | 42                         | 200                     |
| EFSC048   | 1 1/2"             | 10                           | 1.5x25          | 81          | 48                         | 200                     |
| EFSC060   | 2"                 | 10                           | 2.5x25          | 100         | 60                         | 200                     |
| EFSC075   | 2 1/2"             | 10                           | 2.5x25          | 120         | 73                         | 450                     |
| EFSC090   | 3"                 | 10                           | 2.5x25          | 135         | 89                         | 450                     |
| EFSC100   | 3 1/2"             | 10                           | 2.5x25          | 150         | 105                        | 450                     |
| EFSC115   | 4"                 | 10                           | 2.5x25          | 165         | 115                        | 500                     |
| EFSC140   | 5"                 | 12                           | 3x30            | 195         | 140                        | 550                     |
| EFSC168   | 6"                 | 12                           | 3x30            | 230         | 168                        | 700                     |
| EFSC200   | 8"                 | 12                           | 3x40            | 290         | 219                        | 700                     |
| EFSC250   | 10"                | 12                           | 4x50            | 315         | 273                        | 700                     |

- ⇒ Due to policy of continual improvement, the specifications are subject to change without prior notice.
- ⇒ Measurements are subject to 5% tolerance.
- ⇒ To achieve good sound suppression do not over load fitting.