

# Easyflex

TM

# Flexible Sprinkler Hose

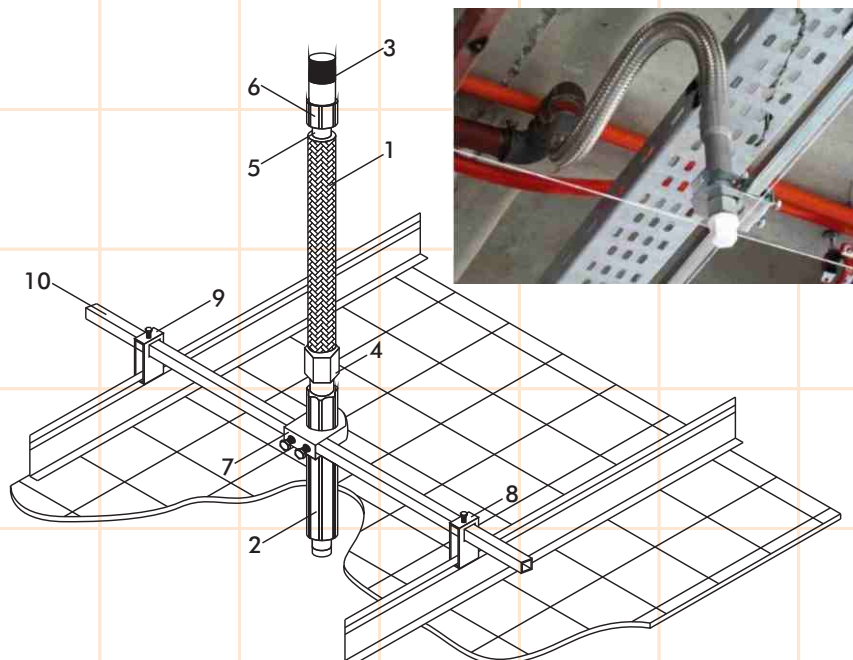
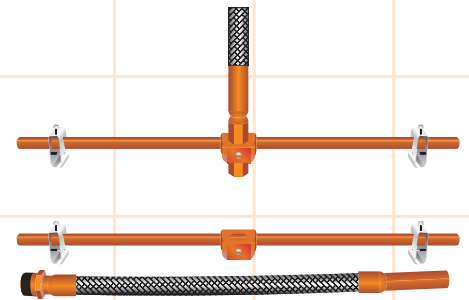


The flexible sprinkler hose is a material of fire fighting equipment for the initial-attack of a fire. In a sprinkler system, this flexible hose links fire protection piping to the sprinkler head.

- ⇒ Economic efficiency : Cost reduction in labor and other costs.
- ⇒ Convenient construction : The product's great flexibility enhance field-adaptibility.
- ⇒ Excellent corrosion resistance : The corrugated tube is made of stainless steel.
- ⇒ Perfect insulation between parts completely eliminates defective factors.
- ⇒ Excellence in quality : KFI Test passed, UL & FM Certified.

The brand is assured by KOTRA. Developed by the company's R & D center with 20-year know-how, the product delivers good performance.

Model No.	Non. Inlet Outed Size (n)	Assembly Lenth (mm)	Max. No. of 90° Bends	Equivalent Length of 1 in. Schedule 40 steel pipe
<b>BRAIDED</b>				
KIC-32B-700	1 x 1/2	700	1	26
KIC-32B-1000	1 x 1/2	1000	1	36
KIC-32B-1200	1 x 1/2	1200	3	67
KIC-32B-1500	1 x 1/2	1500	3	84
KIC-32B-1800	1 x 1/2	1800	3	101
<b>UNBRAIDED</b>				
KIC-32S-700	1 x 1/2	700	1	32
KIC-32S-1000	1 x 1/2	1000	1	42
KIC-32S-1200	1 x 1/2	1200	3	73
KIC-32S-1500	1 x 1/2	1500	3	77
KIC-32S-1800	1 x 1/2	1800 </td <td>3</td> <td>105</td>	3	105

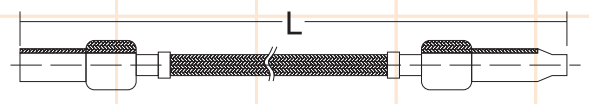


Item No.	Description	Material
1	Flexible Tube	STS304
2	Reducer	SPHT2
3	Nipple	SPHT2
4	Nut	SWRM6K
5	Isolation Ring	Polyamide6
6	O-Ring	NBR or EPDM
7	Bracket L	SPCC
8	Bracket S	SPCC
9	Square Bar	SGCC
10	Bolt	SWCH 10A

# Easyflex<sup>TM</sup> Delivery



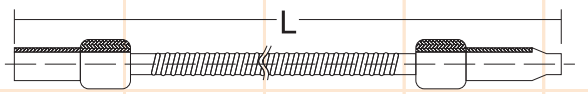
## KIC-32B Braided Type



Model No.	KIC-32B-700	KIC-32B-1000	KIC-32B-1200	KIC-32B-1500	KIC-32B-1800
Length	700 mm	1000 mm	1200 mm	1500 mm	1800 mm

\*Standard outside order production

## KIC-32S Unbraided Type



Model No.	KIC-32S-700	KIC-32S-1000	KIC-32S-1200	KIC-32S-1500	KIC-32S-1800
Length	700 mm	1000 mm	1200 mm	1500 mm	1800 mm

\*Standard outside order production

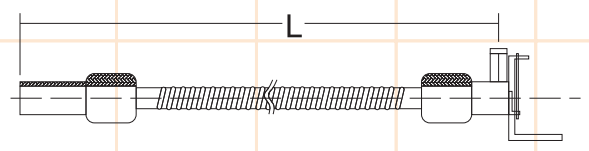
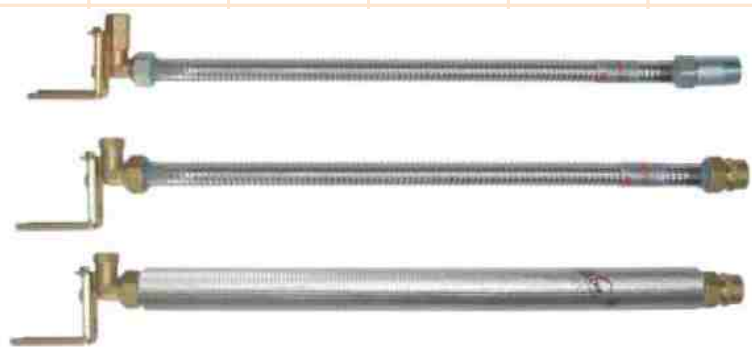
## Specification

- ⇒ Inlet : 1" PT or 1" NPT
- ⇒ Outlet : 1/2" (3/4")PT or 1/2" (3/4")NPT
- ⇒ System : Dry & Wet System
- ⇒ Square Bar : 700mm - 1500mm

## Accessories



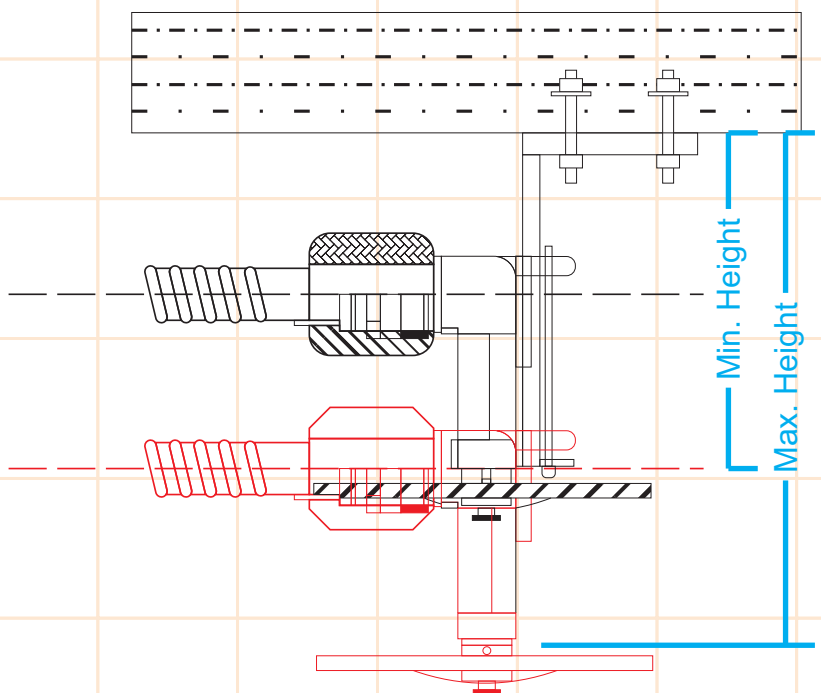
## KIC-SPJ-A Type



Model No.	KIC-SPJ-A500	KIC-SPJ-A700	KIC-SPJ-A1000	KIC-SPJ-1200	KIC-SPJ-A1500	KIC-SPJ-A1800	KIC-SPJ-A2000	KIC-SPJ-A3000
Length	500 mm	700 mm	1000 mm	1200 mm	1500 mm	1800 mm	2000 mm	3000 mm

\*Standard outside order production

## APT Type Bracket Installation Instruction

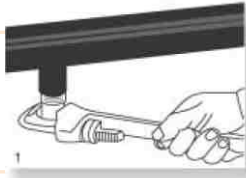


### Specification

- ⇒ Inlet : 1" PT or W/D Type
- ⇒ Outlet : 1/2" PT
- ⇒ System : Dry & Wet System
- ⇒ Max. Pressure : 14 Kg/cm<sup>2</sup>

## Height Range of the Bracket for Apartment

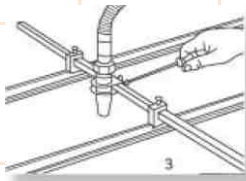
Bracket Length	Standards	A	B	C	D	E	F
Brass Elbow	Min. height	80 mm	100 mm	120 mm	150 mm	180 mm	200 mm
	Mix. height	110 mm	130 mm	150 mm	180 mm	210 mm	230 mm
A105 Elbow	Min. height	80 mm	100 mm	120 mm	150 mm	180 mm	200 mm
	Mix. height	135 mm	155 mm	175 mm	205 mm	235 mm	255 mm



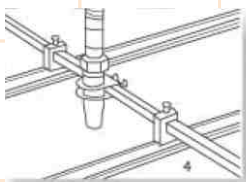
⇒ Connect the nipple to the water branch line. Connect sprinkler flexible hose to nipple. Apply an aerobic pipe joint compound or Teflon tape to the branch line threads of the nipple. Secure firmly with pipe wrench for leak proof connection (Main Pipe+Nipple torque : 850 900 kg.cm Nut + Nipple Nut + Reducer Torque : 200 kg.cm). At this stage of installation, bolts needs to be fastened loosely. (bracket(S) Torque : 45 kg.cm)



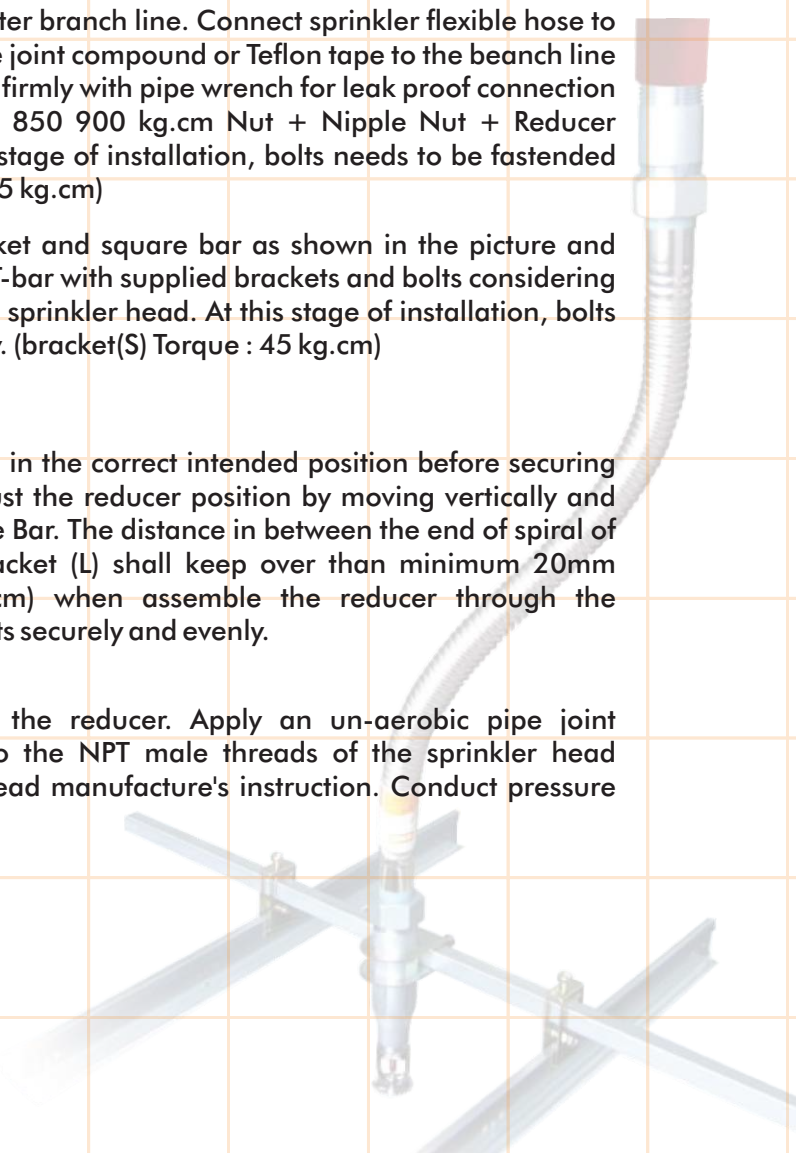
⇒ Assemble the supplied bracket and square bar as shown in the picture and attach the square Bar to the T-bar with supplied brackets and bolts considering the horizontal location of the sprinkler head. At this stage of installation, bolts needs to be fastened loosely. (bracket(S) Torque : 45 kg.cm)



⇒ Verify that reducer is located in the correct intended position before securing the bracket. Check and adjust the reducer position by moving vertically and horizontally along the square Bar. The distance in between the end of spiral of reducer and the side of bracket (L) shall keep over than minimum 20mm (Bracket(L) torque : 65kg.cm) when assemble the reducer through the bracket(L). Tighten all the bolts securely and evenly.



⇒ Connect sprinkler head to the reducer. Apply an un-aerobic pipe joint compound or Teflon taps to the NPT male threads of the sprinkler head according to the sprinkler head manufacture's instruction. Conduct pressure test.



## Product Test



**Leak Test**



**Salt Spray Test**



**Bending Test**



**Fitting & Vibration Test**



**Pressure Stress Test**



**Pressure & Cycling Test**