



Stationary Mounting



- ⇒ **If bolting is preferred:** Mountings are furnished with a tapped hole in the center. This enables the equipment to be bolted securely to the mounting.
- ⇒ **Mobile mounting:** A restraining bolt is required for mobile and marine applications to control inertia forces. Mobile mounting have the same load deflection characteristics as the stationary mounting.
- ⇒ **No bolting required:** Mountings may be used without bolting under machines having no lateral or severe vertical motion.
- ⇒ **If bolt hole is inaccessible:** Use set screw threaded up from under. "H" must exceed maximum mounting deflection.

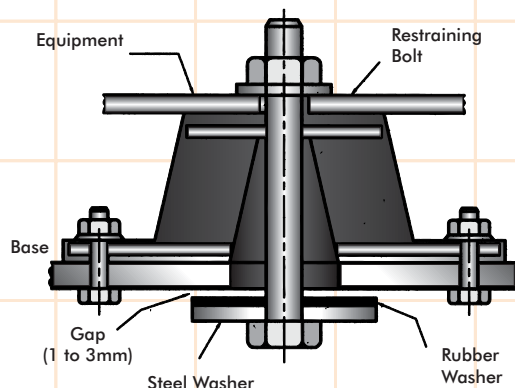
EFTM rubber mountings are designed to provide superior attenuation of medium to high frequency vibration and noise emanating from a wide range of motor driven machines particularly axial and centrifugal fans. High resilience rubber with low dynamic to static stiffness ratio ensures maximum efficiency, good creep performance and long service life.

Design Features

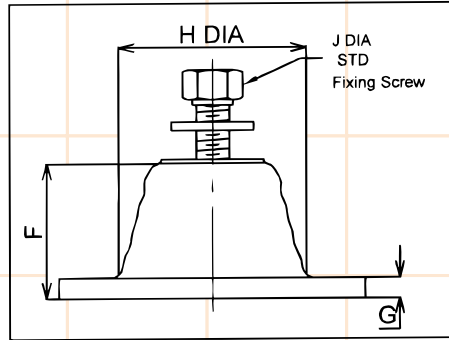
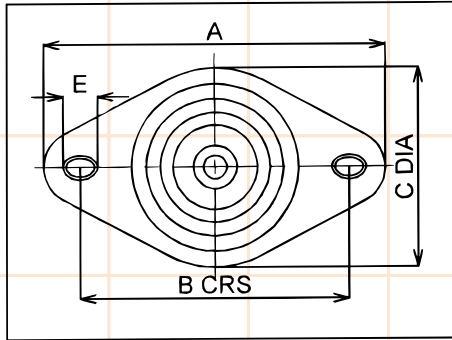
- ⇒ Moulded in first grade natural rubber with integral steel base and upper fixing boss.
- ⇒ Also available with oil & environment resistant durable Neoprene/Nitrile Rubber.
- ⇒ Manufactured in three sizes, each available in three rubber compounds identified by a colour spot.
- ⇒ Static deflections of up to 8mm with loads from 5kg to 400 kg.

Typical Applications

- ⇒ Axial and Centrifugal Fans
- ⇒ Air Handling Units
- ⇒ Air Conditioning Equipments
- ⇒ Packaged Air Conditioners
- ⇒ Floating Floors
- ⇒ Generators & Mobile Equipments
- ⇒ Pumps & Refrigeration Plants
- ⇒ Rotary and Multi Cylinder Compressors.



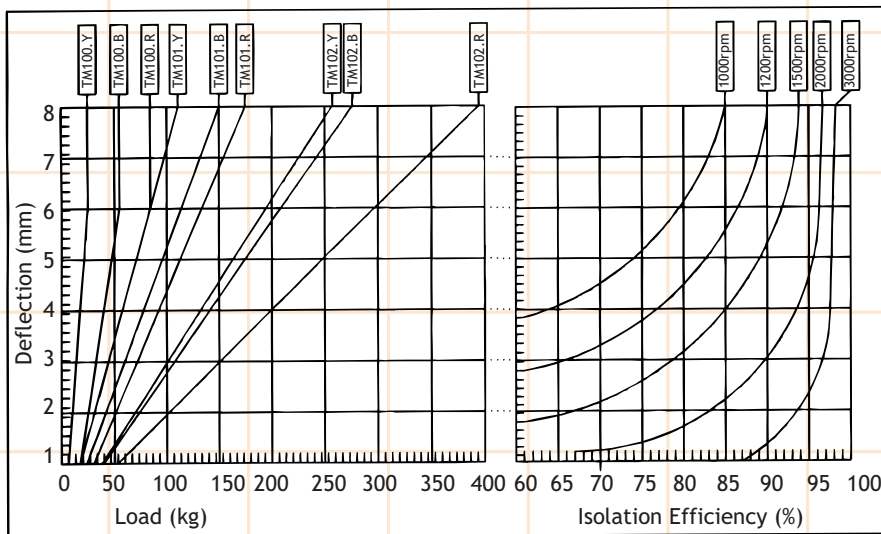
Note: Turret mountings should not be used on machines exhibiting high out of balance forces without restraining bolt.



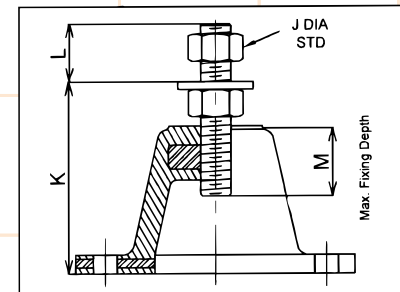
- ⇒ Tolerance or deflection at rated load is $\pm 15\%$.
- ⇒ Above part number requires standard upper screw size J.
- ⇒ For height adjustable variant add suffix HA after part number.
- ⇒ Maximum height adjustment available is 10mm with HA variant.

Part No.	Colour Code	Rate Load (kg)	Deflection at Rate	Nominal Dimensions (mm)											Approx Wt (kg)	
				A	B	C	D	E	F	G	H	J	K	L		M
EFTM 100.Y	YELLOW	28	6	80	57	45	9	12	32	5	41	M8X20	42	13	18	0.11
EFTM 100.B	BLUE	50														
EFTM 100.R	RED	80														
EFTM 101.Y	YELLOW	110	8	95	71	60	9	14	45	5	56	M10X25	56	18	28	0.25
EFTM 101.B	BLUE	180														
EFTM 101.R	RED	280														
EFTM 102.Y	YELLOW	150	8	150	115	86	11	22	70	6	82	M12X30	83	27	38	0.73
EFTM 102.B	BLUE	260														
EFTM 102.R	RED	400														

Load/Deflection and Isolation Efficiency Graphs



Height Adjustable Variant (HA)



Please Note: Isolation efficiency is based on dynamic rather than static stiffness for accurate calculation of system performance.

- ⇒ Due to policy of continual improvement, the specifications are subject to change without prior notice.
- ⇒ Measurements are subject to 5% tolerance.
- ⇒ To achieve good sound suppression do not over load fitting.