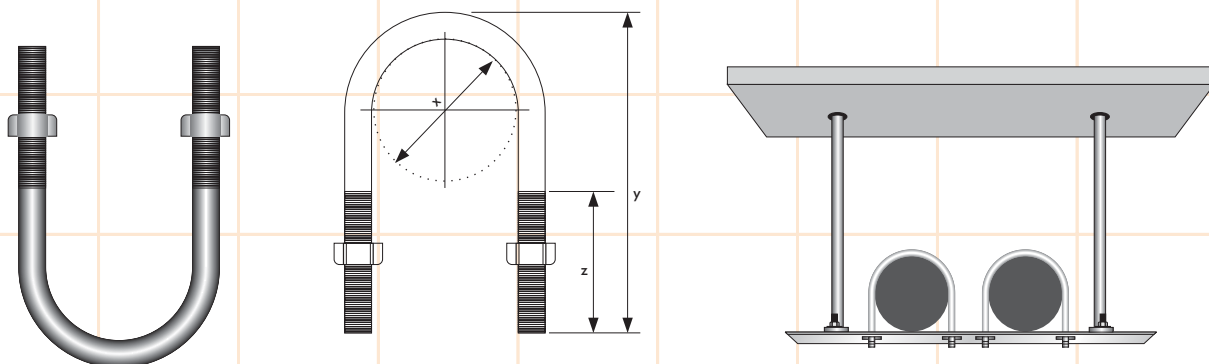


Specifications :

- ⇒ Mild Steel and Electrgalvanized for corrosion resistance for direct fixing to pipe clamps to channel systems.
- ⇒ With necessary precautions they can be used either as fixed or a sliding support.
- ⇒ Supplied with two nuts and two washers.



Model No.	Size	Threaded Connection	Dimension (mm)		
			x	y	z
EFUB022	1/2"	M6	21	65	50
EFUB028	3/4"	M6	27	77	50
EFUB035	1"	M6	34	85	50
EFUB042	1 1/4"	M6	43	93	50
EFUB048	1 1/2"	M6	48	100	50
EFUB060	2"	M6	60	110	50
EFUB075	2 1/2"	M8	76	127	50
EFUB090	3"	M8	89	140	50
EFUB115	4"	M8	115	165	50
EFUB140	5"	M10	140	190	50
EFUB160	6"	M10	168	220	50
EFUB219	8"	M12	219	295	75

⇒ Due to policy of continual improvement, the specifications are subject to change without prior notice.
 ⇒ Measurements are subject to 5% tolerance.