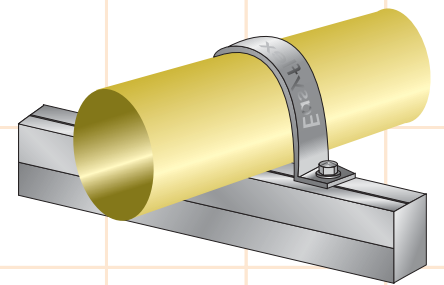
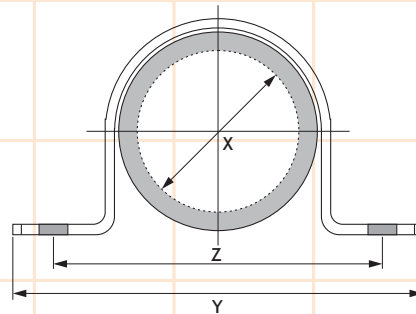
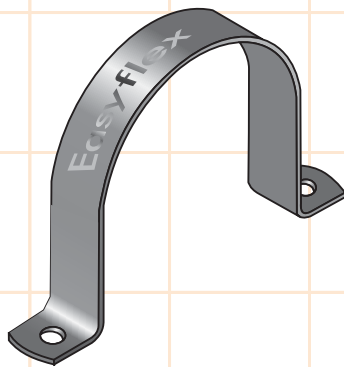


Specification :

- ⇒ Mild Steel and ElectroGalvanized.
- ⇒ Designed for clamping plain or insulated pipes to standard channel supports such as trapeze hangers, floor stands and wall brackets.
- ⇒ Slotted mounting holes for convenient installation.



Model No.	Size	X	Y	Z	Bolt Size	Strip Size mm
		mm	mm	mm		
EFUS022	1/2"	22	76	51	M8	25x1
EFUS028	3/4"	28	82	57	M8	25x1
EFUS035	1"	35	89	64	M8	25x1
EFUS042	1 1/4"	42	96	71	M8	25x1
EFUS048	1 1/2"	48	102	77	M8	25x1
EFUS054		54	108	83	M8	25x1
EFUS060	2"	60	114	89	M8	25x1
EFUS067		67	121	96	M8	25x1
EFUS075	2 1/2"	75	145	113	M8	25x1
EFUS082		82	152	120	M8	25x1
EFUS090	3"	90	160	128	M8	30x1.5
EFUS100	3 1/2"	100	170	138	M8	30x1.5
EFUS108		108	178	146	M8	30x1.5
EFUS115	4"	115	185	153	M8	30x1.5
EFUS126		126	196	164	M10	30x1.5
EFUS140	5"	140	210	178	M10	30x2.5
EFUS148		148	218	186	M10	30x2.5
EFUS155		155	225	193	M10	30x2.5

⇒ Due to policy of continual improvement, the specifications are subject to change without prior notice.
 ⇒ Measurements are subject to 5% tolerance.



U Strap Clamps



Model No.	Size	X	Y	Z	Bolt Size	Strip Size mm
		mm	mm	mm		
EFUS167	6"	167	237	205	M10	30x2.5
EFUS179		179	249	217	M10	30x2.5
EFUS190		190	260	228	M10	30x2.5
EFUS205		205	275	243	M10	30x2.5
EFUS219	8"	219	289	257	M10	38x3

Sizes above 8" please contact our Engineering Department.

- ⇒ Due to policy of continual improvement, the specifications are subject to change without prior notice.
- ⇒ Measurements are subject to 5% tolerance.