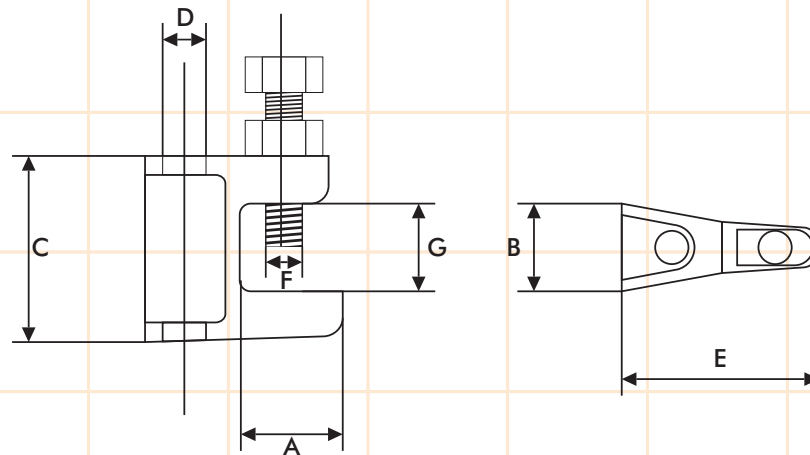
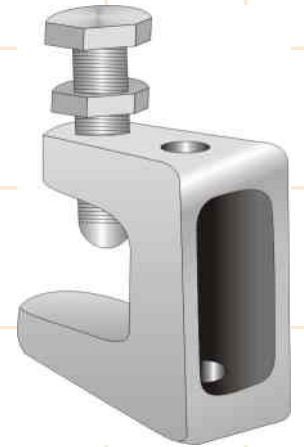


## Features :

- ⇒ Malleable Cast Iron
- ⇒ Zinc Plated Casting tolerance according to DIN 1684 GTA/17
- ⇒ Hexagon Threaded Head Screw DIN933 8.8
- ⇒ Threaded and with Cup Point (RS) according to EN ISO 4753

## Technical Data :

- ⇒ Applicable for Sprinkler systems, heating, ventilation air conditioning, acoustic tubes and sanitary installations.



Model No.	A (mm)	B (mm)	C (mm)	D (mm)	E (mm)	F (mm)	G (mm)	Weight gms	Load Kgs
EFGC008	21	19	35	8	35	9	18	81	120
EFGC010	29	21	42	10	41	10	20	143	250
EFGC012	35	23.5	54	12	48	10	26	216	350

