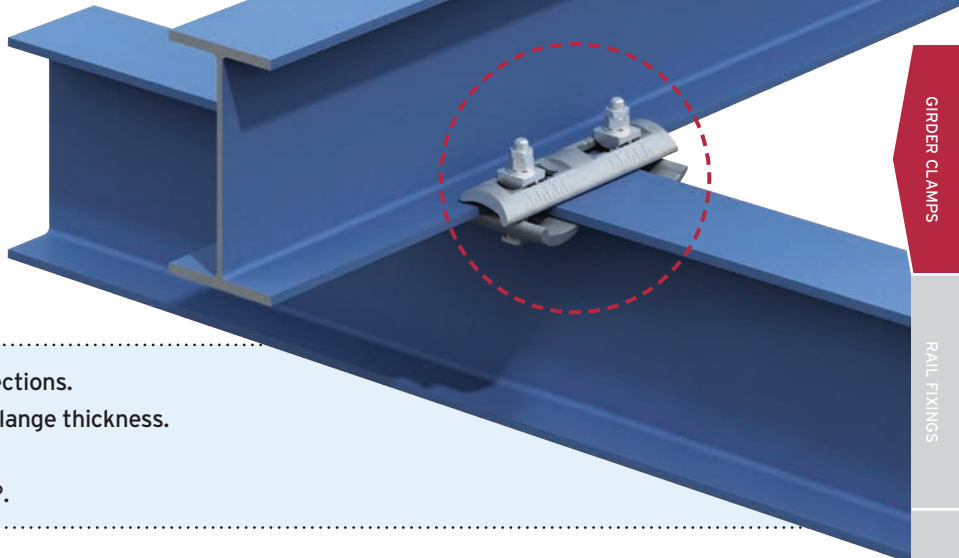
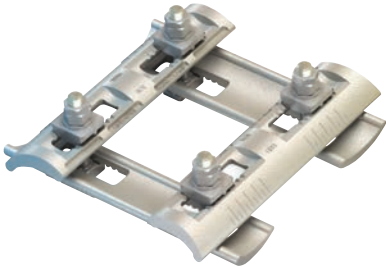
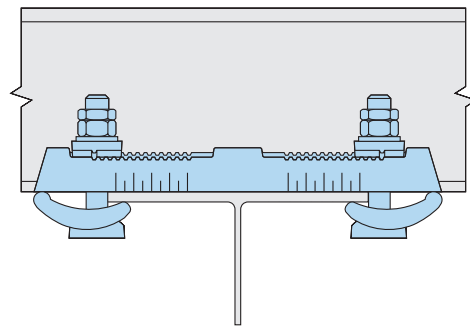
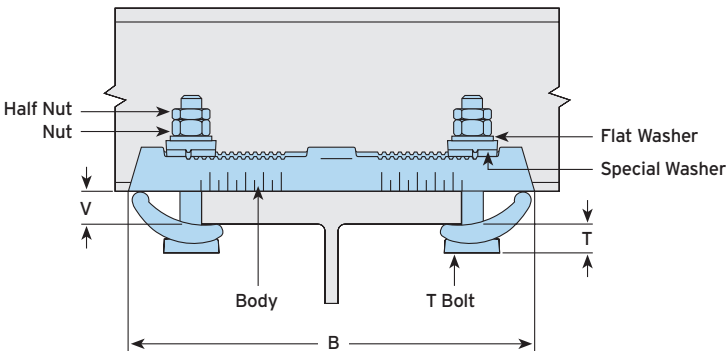


Type FC - Flush Clamp

A full connection system that adjusts to fit a variety of beam types. This pre-configured assembly does not require a location plate and is ready for assembly 'out of the box'.



- 'All-in-one' device for connecting steel sections.
- Adjustable to suit both beam width and flange thickness.
- Quick and easy to install.
- For parallel and tapered flanges up to 10°.



Material: Forged steel, zinc plated plus JS500.

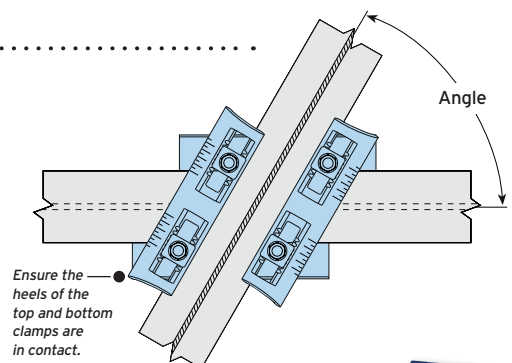
Product Code	T Bolt 8.8	Safe Working Loads (FOS 5:1)			Tightening Torque*	Clamping Range		Dimensions	
		Tensile / 4 Bolts kN	Slip / 4 Bolts kN			Flange Thickness V mm	Flange Width ¹⁾ mm	T mm	B mm
FC16	M16	30.0	7.5	147	5 - 19	75 - 180	22 - 27	304	

¹⁾ Depending on beam connection angles (see table below).

* Torque figures based on bolts / setscrews in an unlubricated condition (as supplied). For further information on lubricated fasteners see page 72.

Minimum Possible Beam Connection Angles

		Top Beam				
Bottom Beam	Flange Width	76.2mm	101.6mm	127.0mm	152.4mm	177.8mm
		76.2mm	45°	50°	55°	65°
	101.6mm	50°	50°	55°	65°	75°
	127.0mm	55°	55°	55°	65°	75°
	152.4mm	65°	65°	65°	65°	75°
	177.8mm	75°	75°	75°	75°	80°



For Characteristic Resistances when designing a connection to Eurocode 3, refer to DoP No.012 on Lindapter's website or request the DoP Brochure >>

